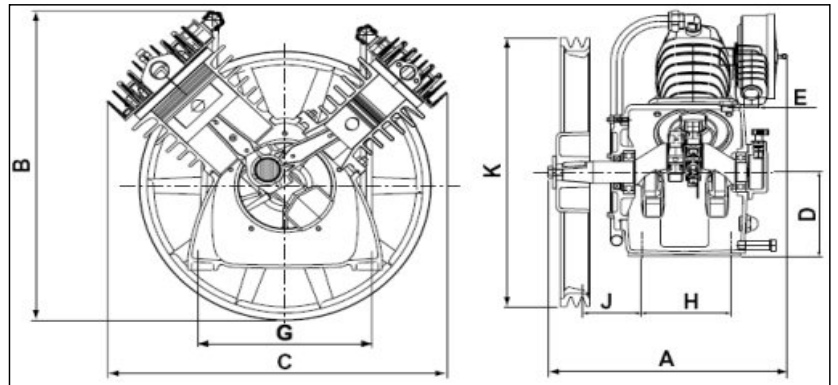
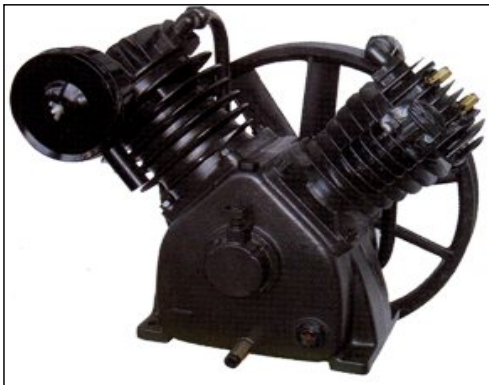


## Specification Sheets



**Model:** SKB 26      **Code:** AOB-7-5131770000      **Cat. Ref:** AA02

### Pump

<b>Model:</b>	SKB 26
<b>Make:</b>	Fini
<b>Country of origin:</b>	China
<b>Motor power (kW):</b>	5.5
<b>Type of control:</b>	Auto Stop Start
<b>Quoted working pressure (kPa):</b>	700
<b>Max working press.(kPa) (5.5kW @ 749rpm):</b>	1200
<b>Piston displacement (lit./min):</b>	771
<b>Actual delivery (FAD)(lit./min @ 700kPa) :</b>	591
<b>Speed (r.p.m):</b>	749
<b>Crankcase material:</b>	Cast Iron
<b>Head material:</b>	Cast Iron
<b>Number of stages:</b>	2
<b>Number of cylinders:</b>	2
<b>Cylinder arrangement:</b>	Vee
<b>Cylinder material:</b>	Cast Iron
<b>Bore LP(mm):</b>	1 X 125
<b>Bore HP(mm):</b>	1 X 65
<b>Stroke (mm):</b>	84
<b>Drive:</b>	Vee drive
<b>No. of Belts:</b>	2
<b>Belt Section:</b>	B
<b>Qty oil fill (lt):</b>	1.8
<b>Dimensions (L.W.H. mm) (No Packing):</b>	577 X 401 X 570
<b>Mass (kg) (No Packing):</b>	76
<b>Approx Dimensions (L.W.H. mm) (Packaged):</b>	710 X 470 X 700
<b>Approx Mass (kg) (Packaged):</b>	97.5

### Key Dimensions (mm)

<b>A</b>	401
<b>B</b>	569.8
<b>C</b>	577.3
<b>D</b>	155
<b>E</b>	R3/4"
<b>G</b>	295
<b>H</b>	155
<b>J</b>	96
<b>K (PCD)</b>	487

### Compressor Flywheel

<b>Outside dia (mm) (2 Vee A Sec)</b>	496
<b>PCD (mm)</b>	487

### Motor Drive Pulley

(Closest standard pulley for the nominated speed)

<b>2 Pole 5.5kW 50Hz Motor</b>	125 x 2SPB
<b>4 Pole 5.5kW 50Hz Motor</b>	250 x 2SPB

### Key Parts - Description

### Code

<b>Intake Air Filter Element: 1off</b>	CTB-017080000
<b>Valve Kit with Gaskets: 1off</b>	CTA-002-SKB26
<b>Ring Kit with Gaskets: 1off</b>	CTA-003-SKB26
<b>Compressor Oil: 2lt Bottle</b>	KAA-P100-002