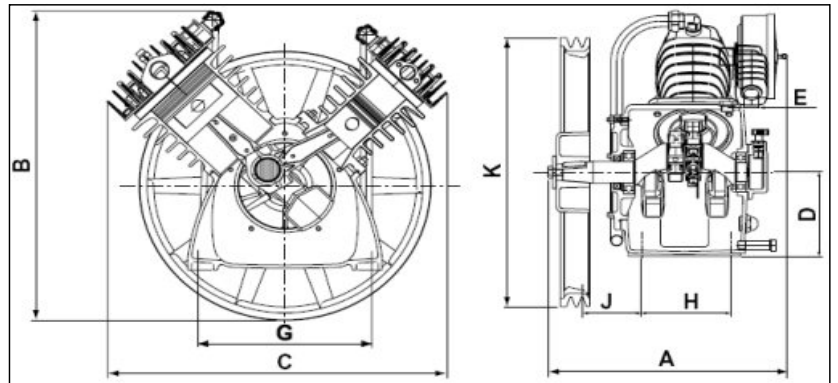
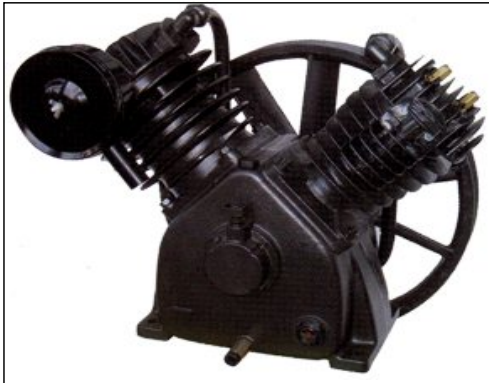


Specification Sheets



Model: SKB 26 **Code:** AOB-7-5131770000 **Cat. Ref:** AA02

Pump

Model:	SKB 26
Make:	Fini
Country of origin:	China
Motor power (kW):	7.5
Type of control:	Auto Stop Start
Quoted working pressure (kPa):	700
Max working press.(kPa) (7.5kW @ 959rpm):	1200
Piston displacement (lit./min):	986
Actual delivery (FAD)(lit./min @ 700kPa) :	738
Speed (r.p.m):	959
Crankcase material:	Cast Iron
Head material:	Cast Iron
Number of stages:	2
Number of cylinders:	2
Cylinder arrangement:	Vee
Cylinder material:	Cast Iron
Bore LP(mm):	1 X 125
Bore HP(mm):	1 X 65
Stroke (mm):	84
Drive:	Vee drive
No. of Belts:	2
Belt Section:	B
Qty oil fill (lt):	1.8
Dimensions (L.W.H. mm) (No Packing):	577 X 401 X 570
Mass (kg) (No Packing):	76
Approx Dimensions (L.W.H. mm) (Packaged):	710 X 470 X 700
Approx Mass (kg) (Packaged):	97.5

Key Dimensions (mm)

A	401
B	569.8
C	577.3
D	155
E	R3/4"
G	295
H	155
J	96
K (PCD)	487

Compressor Flywheel

Outside dia (mm) (2 Vee A Sec)	496
PCD (mm)	487

Motor Drive Pulley

(Closest standard pulley for the nominated speed)

2 Pole 7.5kW 50Hz Motor	160 x 2SPB
4 Pole 7.5kW 50Hz Motor	315 x 2SPB

Key Parts - Description

Code

Intake Air Filter Element: 1off	CTB-017080000
Valve Kit with Gaskets: 1off	CTA-002-SKB26
Ring Kit with Gaskets: 1off	CTA-003-SKB26
Compressor Oil: 2lt Bottle	KAA-P100-002