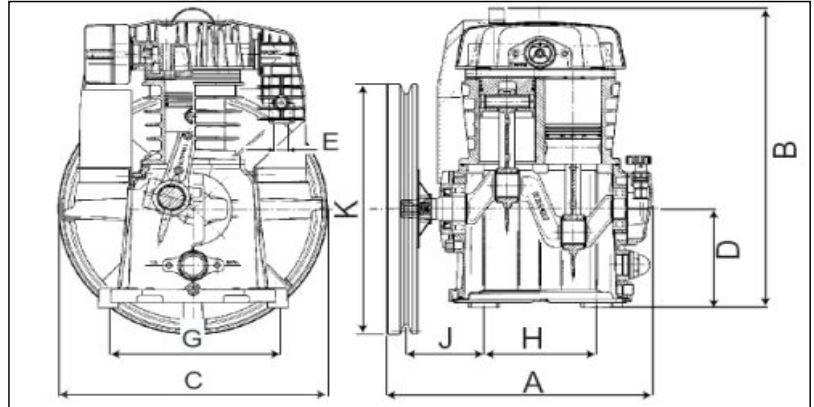


## Specification Sheets



**Model:** MK113      **Code:** AOB-5-5131440020      **Cat. Ref:** AA04

### Pump

<b>Model:</b>	MK113
<b>Make:</b>	Fini
<b>Country of origin:</b>	Italy
<b>Motor power (kW):</b>	4.0
<b>Type of control:</b>	Auto Stop Start
<b>Quoted working pressure (kPa):</b>	700
<b>Max working press.(kPa) (4.0kW @ 1440rpm):</b>	1000
<b>Piston displacement (lit./min):</b>	554
<b>Actual delivery (FAD)(lit./min @ 700kPa) :</b>	422
<b>Speed (r.p.m):</b>	1440
<b>Crankcase material:</b>	Aluminium
<b>Head material:</b>	Aluminium
<b>Number of stages:</b>	1
<b>Number of cylinders:</b>	2
<b>Cylinder arrangement:</b>	Vertical
<b>Cylinder material:</b>	Cast Iron
<b>Bore LP(mm):</b>	2 X 65
<b>Stroke (mm):</b>	58
<b>Drive:</b>	Vee drive
<b>No. of Belts:</b>	1
<b>Belt Section:</b>	A
<b>Qty oil fill (lt):</b>	0.7
<b>Dimensions (L.W.H. mm) (No Packing):</b>	312 X 305 X 393
<b>Mass (kg) (No Packing):</b>	13.5
<b>Approx Dimensions (L.W.H. mm) (Packaged):</b>	320 X 320 X 470
<b>Approx Mass (kg) (Packaged):</b>	14.5

### Key Dimensions (mm)

<b>A</b>	305
<b>B</b>	360
<b>C</b>	312
<b>D</b>	123
<b>E</b>	R1/2"
<b>G</b>	190
<b>H</b>	130
<b>J</b>	90
<b>K (PCD)</b>	305

### Compressor Flywheel

<b>Outside dia (mm) (1 Vee A Sec)</b>	312
<b>PCD (mm)</b>	305

### Motor Drive Pulley

(Closest standard pulley for the nominated speed)

<b>2 Pole 4.0kW 50Hz Motor</b>	150 x 1SPA
<b>4 Pole 4.0kW 50Hz Motor</b>	-

### Key Parts - Description

### Code

<b>Intake Air Filter Element:</b> 1off	CTB-017003000
<b>Valve Kit with Gaskets:</b> 1off	CTA-002-113
<b>Ring Kit with Gaskets:</b> 1off	CTA-003-113
<b>Compressor Oil:</b> 2lt Bottle	KAA-P100-002