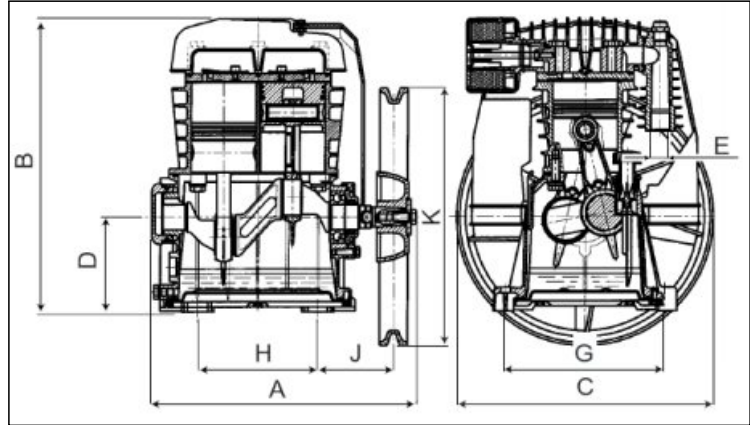


Specification Sheets



Model: MK103 **Code:** AOB-5-5131440000 **Cat. Ref:** AA04

Pump

Model:	MK103
Make:	Fini
Country of origin:	China
Motor power (kW):	2.2
Type of control:	Auto Stop Start
Quoted working pressure (kPa):	700
Max working press.(kPa) (2.2kW @ 1420rpm):	1000
Piston displacement (lit./min):	377
Actual delivery (FAD)(lit./min @ 700kPa) :	255
Speed (r.p.m):	1420
Crankcase material:	Aluminium
Head material:	Aluminium
Number of stages:	1
Number of cylinders:	2
Cylinder arrangement:	Vertical
Cylinder material:	Cast Iron
Bore LP(mm):	2 X 65
Stroke (mm):	40
Drive:	Vee drive
No. of Belts:	1
Belt Section:	A
Qty oil fill (lt):	0.5
Dimensions (L.W.H. mm) (No Packing):	258 X 265 X 328
Mass (kg) (No Packing):	8.3
Approx Dimensions (L.W.H. mm) (Packaged):	270 X 270 X 360
Approx Mass (kg) (Packaged):	10

Key Dimensions (mm)

A	264.5
B	293.5
C	258
D	95
E	R1/2"
G	160
H	120
J	76
K (PCD)	251.4

Compressor Flywheel

Outside dia (mm) (1 Vee A Sec)	300
PCD (mm)	294

Motor Drive Pulley

(Closest standard pulley for the nominated speed)

2 Pole 2.2kW 50Hz Motor	160 x 1SPA
4 Pole 2.2kW 50Hz Motor	315 x 1SPA

Key Parts - Description

Code

Intake Air Filter Element: 1off	CTB-017080000
Valve Kit with Gaskets: 1off	CTA-002-SKB20
Ring Kit with Gaskets: 1off	CTA-003-SKB20
Compressor Oil: 2lt Bottle	KAA-P100-002