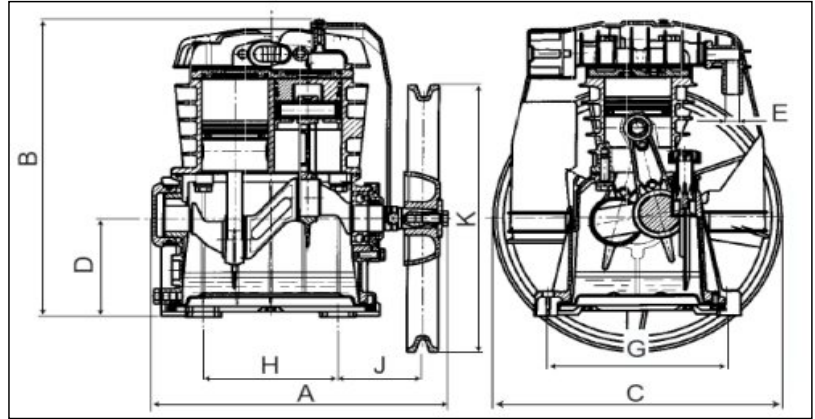


Specification Sheets



Model: MK102 **Code:** AOB-4-513160000 **Cat. Ref:** AA04

Pump

Model:	MK102
Make:	Fini
Country of origin:	China
Motor power (kW):	1.5
Type of control:	Auto Stop Start
Quoted working pressure (kPa):	700
Max working press.(kPa) (1.5kW @ 1040rpm):	1000
Piston displacement (lit./min):	235
Actual delivery (FAD)(lit./min @ 700kPa) :	173
Speed (r.p.m):	1040
Crankcase material:	Aluminium
Head material:	Aluminium
Number of stages:	1
Number of cylinders:	2
Cylinder arrangement:	Vertical
Cylinder material:	Cast Iron
Bore LP(mm):	2 X 60
Stroke (mm):	40
Drive:	Vee drive
No. of Belts:	1
Belt Section:	A
Qty oil fill (lt):	0.5
Dimensions (L.W.H. mm) (No Packing):	258 X 265 X 321
Mass (kg) (No Packing):	7.3
Approx Dimensions (L.W.H. mm) (Packaged):	270 X 270 X 360
Approx Mass (kg) (Packaged):	9

Key Dimensions (mm)

A	264.5
B	286.5
C	258
D	95
E	R1/2"
G	160
H	120
J	76
K (PCD)	251.5

Compressor Flywheel

Outside dia (mm) (1 Vee A Sec)	293.5
PCD (mm)	251.5

Motor Drive Pulley

(Closest standard pulley for the nominated speed)

2 Pole 1.5kW 50Hz Motor	100 x 1SPA
4 Pole 1.5kW 50Hz Motor	200 x 1SPA

Key Parts - Description

Code

Intake Air Filter Element: 1off	CTB-017024000
Valve Kit with Gaskets: 1off	CTA-002-102
Ring Kit with Gaskets: 1off	CTA-003-102
Compressor Oil: 2lt Bottle	KAA-P100-002