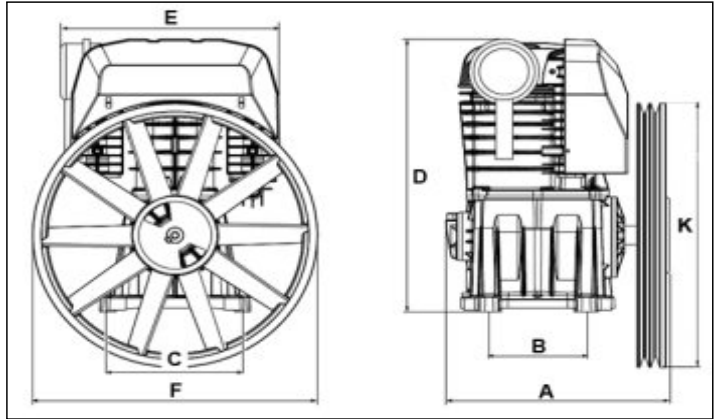


Specification Sheets



Model: BK120 **Code:** AOB-7-513190000 **Cat. Ref:** AA05

Pump

Model:	BK120
Make:	Fini
Country of origin:	Italy
Motor power (kW):	7.5
Type of control:	Auto Stop Start
Quoted working pressure (kPa):	700
Max working press.(kPa) (7.5kW @ 1100rpm):	1000
Piston displacement (lit./min):	1080
Actual delivery (FAD)(lit./min @ 700kPa) :	851
Speed (r.p.m):	1100
Crankcase material:	Aluminium
Head material:	Aluminium
Number of stages:	2
Number of cylinders:	2
Cylinder arrangement:	Vertical
Cylinder material:	Cast Iron
Bore LP(mm):	125
Bore HP(mm):	65
Stroke (mm):	80
Drive:	Vee drive
No. of Belts:	2
Belt Section:	B
Qty oil fill (lt):	0.70
Dimensions (L.W.H. mm) (No Packing):	496 X 403 X 535
Mass (kg) (No Packing):	49
Approx Dimensions (L.W.H. mm) (Packaged):	516 X 423 X 555
Approx Mass (kg) (Packaged):	55

Key Dimensions (mm)

A	403
B	169
C	229
D	535
E	382
F	496
K (PCD)	487

Compressor Flywheel

Outside dia (mm) (2 Vee B Sec)	496
PCD (mm)	487

Motor Drive Pulley

(Closest standard pulley for the nominated speed)

2 Pole 7.5kW 50Hzt Motor	180 x 2SPB
4 Pole 7.5kW 50Hzt Motor	-