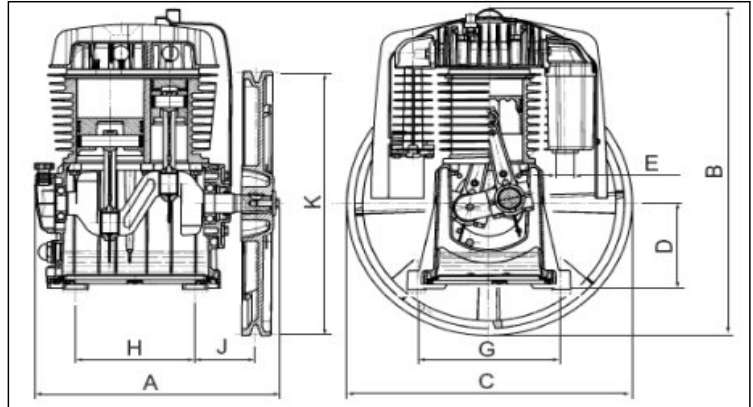


## Specification Sheets



**Model:** BK114      **Code:** AOB-6-513178000      **Cat. Ref:** AA05

### Pump

<b>Model:</b>	BK114
<b>Make:</b>	Fini
<b>Country of origin:</b>	Italy
<b>Motor power (kW):</b>	4.0
<b>Type of control:</b>	Auto Stop Start
<b>Quoted working pressure (kPa):</b>	700
<b>Max working press.(kPa) (4.0kW @ 1370rpm):</b>	1000
<b>Piston displacement (lit./min):</b>	582
<b>Actual delivery (FAD)(lit./min @ 700kPa) :</b>	481
<b>Speed (r.p.m):</b>	1370
<b>Crankcase material:</b>	Aluminium
<b>Head material:</b>	Aluminium
<b>Number of stages:</b>	2
<b>Number of cylinders:</b>	2
<b>Cylinder arrangement:</b>	Vertical
<b>Cylinder material:</b>	Cast Iron
<b>Bore LP(mm):</b>	1 X 95
<b>Bore HP(mm):</b>	1 X 52
<b>Stroke (mm):</b>	60
<b>Drive:</b>	Vee drive
<b>No. of Belts:</b>	1
<b>Belt Section:</b>	Z
<b>Qty oil fill (lt):</b>	0.9
<b>Dimensions (L.W.H. mm) (No Packing):</b>	402 X 347 X 431
<b>Mass (kg) (No Packing):</b>	24
<b>Approx Dimensions (L.W.H. mm) (Packaged):</b>	450 X 400 X 550
<b>Approx Mass (kg) (Packaged):</b>	25.4

### Key Dimensions (mm)

<b>A</b>	347
<b>B</b>	431
<b>C</b>	402
<b>D</b>	130
<b>E</b>	R3/4"
<b>G</b>	200
<b>H</b>	169
<b>J</b>	84
<b>K (PCD)</b>	398

### Compressor Flywheel

<b>Outside dia (mm) (1 Vee Z Sec)</b>	402
<b>PCD (mm)</b>	398

### Motor Drive Pulley

(Closest standard pulley for the nominated speed)

<b>2 Pole 4.0kW 50Hz Motor</b>	180 x 1SPZ
<b>4 Pole 4.0kW 50Hz Motor</b>	-

### Key Parts - Description

### Code

<b>Intake Air Filter Element: 1off</b>	CTB-113178013
<b>Valve Kit with Gaskets: 1off</b>	CTA-002-014
<b>Ring Kit with Gaskets: 1off</b>	CTA-003-014
<b>Compressor Oil: 2lt Bottle</b>	KAA-P100-002