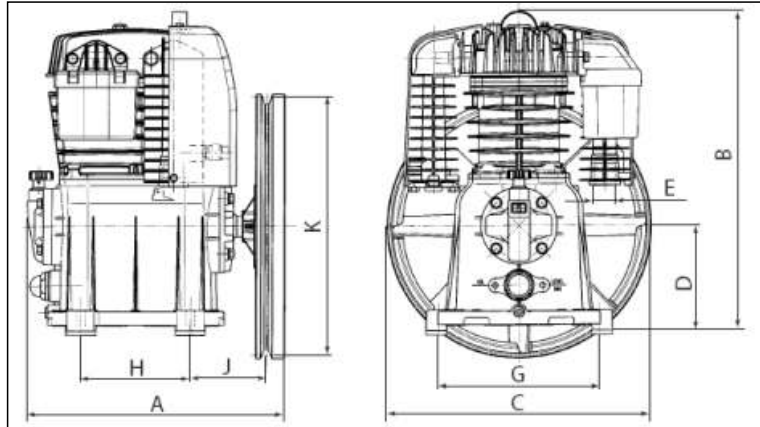


## Specification Sheets



**Model:** BK113      **Code:** AOB-6-5131630000      **Cat. Ref:**

### Pump

<b>Model:</b>	BK113
<b>Make:</b>	Fini
<b>Country of origin:</b>	Italy
<b>Motor power (kW):</b>	4.0
<b>Type of control:</b>	Auto Stop Start
<b>Quoted working pressure (kPa):</b>	700
<b>Max working press.(kPa) (4.0kW @ 1510rpm):</b>	1000
<b>Piston displacement (lit./min):</b>	496
<b>Actual delivery (FAD)(lit./min @ 700kPa) :</b>	404
<b>Speed (r.p.m):</b>	1510
<b>Crankcase material:</b>	Aluminium
<b>Head material:</b>	Aluminium
<b>Number of stages:</b>	2
<b>Number of cylinders:</b>	2
<b>Cylinder arrangement:</b>	Vertical
<b>Cylinder material:</b>	Cast Iron
<b>Bore LP(mm):</b>	85
<b>Bore HP(mm):</b>	50
<b>Stroke (mm):</b>	58
<b>Drive:</b>	Vee drive
<b>No. of Belts:</b>	1
<b>Belt Section:</b>	A
<b>Qty oil fill (lt):</b>	0.7
<b>Dimensions (L.W.H. mm) (No Packing):</b>	312 X 305 X 410
<b>Mass (kg) (No Packing):</b>	16
<b>Approx Dimensions (L.W.H. mm) (Packaged):</b>	330 X 330 X 470
<b>Approx Mass (kg) (Packaged):</b>	17.3

### Key Dimensions (mm)

<b>A</b>	305
<b>B</b>	377
<b>C</b>	312
<b>D</b>	123
<b>E</b>	R3/4"
<b>G</b>	190
<b>H</b>	130
<b>J</b>	90
<b>K (PCD)</b>	305

### Compressor Flywheel

<b>Outside dia (mm) (1 Vee A Sec)</b>	312
<b>PCD (mm)</b>	305

### Motor Drive Pulley

(Closest standard pulley for the nominated speed)

<b>2 Pole 4.0kW 50Hzt Motor</b>	160 x 1SPA
<b>4 Pole 4.0kW 50Hzt Motor</b>	-

### Key Parts - Description

### Code

<b>Intake Air Filter Element: 1off</b>	CTB-113163028
<b>Valve Kit with Gaskets: 1off</b>	CTA-002-113BK
<b>Ring Kit with Gaskets: 1off</b>	CTA-003-113BK
<b>Compressor Oil: 2lt Bottle</b>	KAA-P100-002